

Minuteman[®]



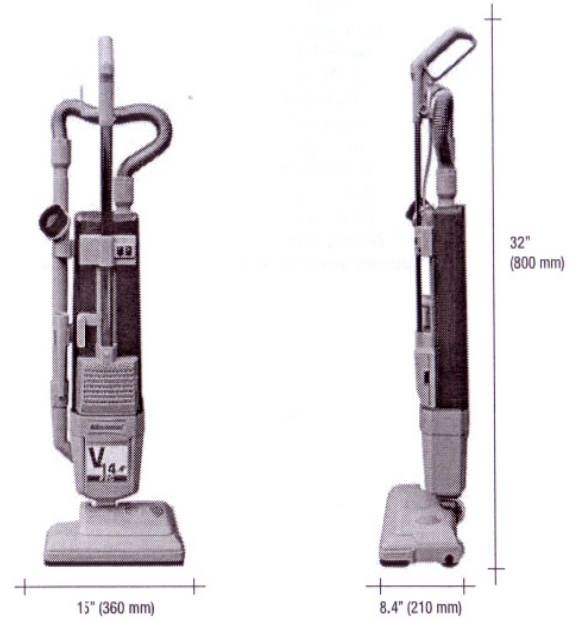
**Parts Manual
V14 Pro**

Table of Contents

Technical Specifications	2
Safety Instructions	2
Chassis Assembly Upper	3
Chassis Assembly Upper Bill Of Material	4
Chassis Assembly Lower	5
Chassis Assembly Lower Bill Of Material	6
Minuteman Limited Warranty	7

Technical Specifications

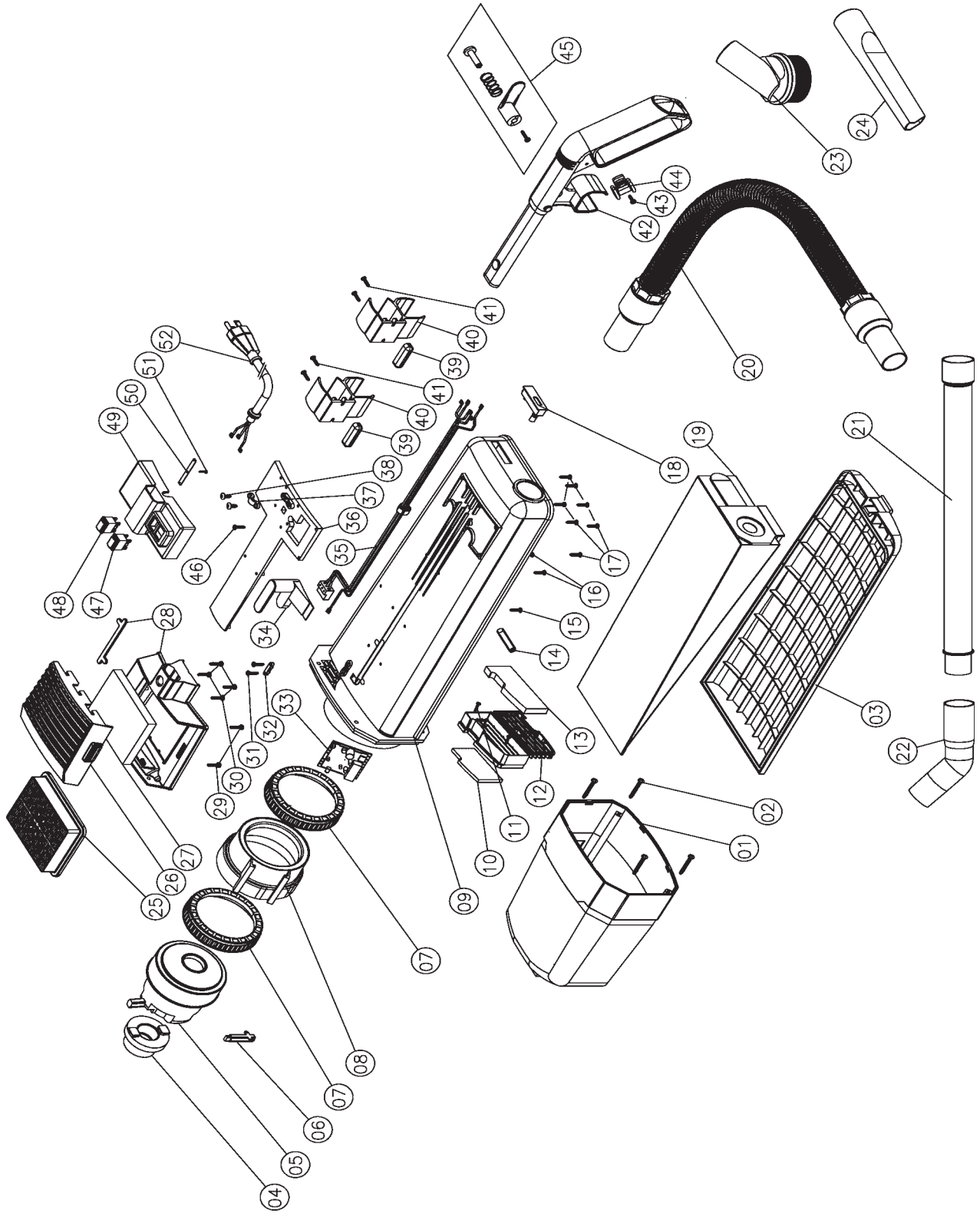
Model	V14 PRO
Model No.	V14115P
Current Max	14"
Vacuum motor power	9.5 Amps
Traction motor power	1150 W
Working surface	150 W
Weight	14" (350 mm)
Noise level	14.8 LBS
Voltage	68 dB(A)
Electronic card, motor blocking	120 / 60 Hz
Transmission	Provided
Air flow	Poly V Belt
Dustbag	106 cfm (50 l/s)
Cable	61 cu. in. (6.5 l)
Protection	50 ft (15 m)
Suction	3-wire ground
	104" of water (26 kpa)



For Safety When Servicing or Maintaining Machine

- Disconnect the power to the machine.
- Avoid moving parts. Do not wear loose jackets, shirts, or sleeves when working on machine.
- Do not clean machine with a pressure washer.
- Authorized personnel must perform repairs and maintenance. Use Minuteman supplied replacement parts.

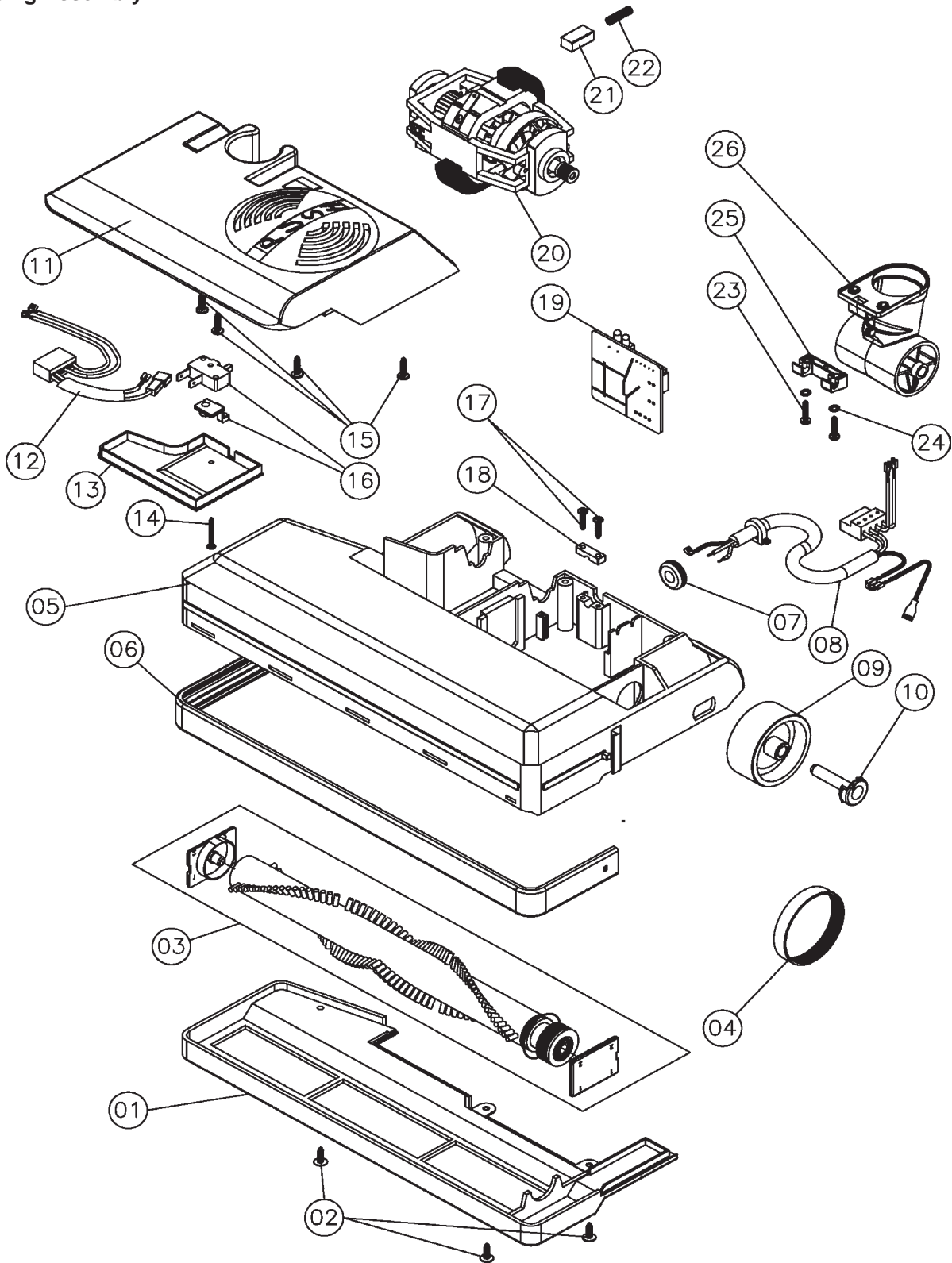
Upper Housing
Assembly



V14 PRO UPPER HOUSING ASSEMBLY

ITEM	PART NUMBER	QUANTITY	DESCRIPTION
1	141603	1	FULL HOUSING
2	141604	4	SCR-ST-PAN HD, 4MM X 40MM, STL., ZINC
3	141605	1	COMPLETE SHUTTER
4	141606	1	MOTOR SUPPORT
5	141607	1	1000-W, 120-V VACUUM MOTOR
6	141608	1	MOTOR CARBON BRUSH
7	141609	2	NEOPRENE VACUMING WIRING W/CUP
8	141610	1	SPACER W/CUP
9	141611	1	BURGUNDY CASING
10	141612	1	MOTOR PROTECTION FILTER
11	141613	1	SCR-ST-PAN HD, 3.5MM X 16MM, STL., ZINC
12	141614	1	HOLDER INTERNAL GREEN FILTER
13	141615	1	INTERNAL FILTER
14	141616	1	PERFUME DISPENSER STICK, PACKAGE OF 10 PIECES
15	141617	1	SCR-ST-PAN HD, 3.5MM X 12MM, STL., ZINC
16	141618	2	SCR-ST-PAN HD, 3MM X 10MM, STL., ZINC
17	141619	7	SCR-ST-PAN HD, 3MM X 20MM, STL., ZINC
18	141620	1	BAG FULL INDICATOR
19	141602	1	10 PAPER BAGS PACK
20	141622	1	GRAY LOCKING SLEEVE FOR FLEXIBLE DUCT
21	141624	1	GRAY TELESCOPING EXTENSION
22	141625	1	GRAY CURVED SLEEVE FOR FLEXIBLE DUCT
23	141626	1	GRAY SMALL BRUSH
24	141627	1	GRAY TIP
25	141639	1	HEPA H13 FILTER, CPL
26	141629	1	COMPLETE FILTER GRILL
27	141630	1	PRE-FILTER PPI60
28	141631	1	HEPA FILTER HOLDER BOX
29	141632	2	SCR-ST-PAN HD, 3.5MM X 12MM, STL., ZINC
30	141633	4	SCR-ST-PAN HD, 3MM X 20MM, STL., ZINC
31	141634	1	SCR-ST-PAN HD, 3MM X 10MM, STL., ZINC
32	141635	1	BLACK CORD-FASTENING U-BOLT
33	141636	1	ELECTRONIC CARD 120V
34	141637	1	DARK GRAY LOWER CORD COILER
35	141638	1	INNER ELETRICAL CIRCUIT WIRING
36	141640	1	HANDLE BASE
37	141641	1	CORD-FASTENING U-BOLT
38	141642	2	SCR-ST-PAN HD, 4.2MM X 9.5MM, STL., ZINC
39	141643	2	BLOCK NUT
40	141644	2	GRAY HOSE FASTENER
41	141645	4	SCR-ST-PAN HD, 3.5MM X 12MM, STL., ZINC
42	141648	1	COMPLETE HANDLE HANDGRIP
43	141646	1	SCR-ST-PAN HD, 3.5MM X 19MM, STL., ZINC
44	141650	1	CORD SLIDE
45	141651	1	GRAY UPPER CORD COILER SET
46	141655	1	SCR-ST-PAN HD, 3.5MM X 9.5MM, STL., ZINC
47	141656	1	RED BIPOLAR SWITCH, WITH LIGHT
48	141657	1	BLACK SWITCH, NO LIGHT
49	141658	1	GRAY SWITCH HOLDER MASK
50	141659	1	BRASS BLADE
51	141660	1	SCR-ST-PAN HD, 3.5MM X 12MM, STL., ZINC
52	141661	1	GRAY POWER CORD

Lower Housing Assembly



V14 PRO LOWER HOUSING ASSEMBLY

ITEM	PART NUMBER	QUANTITY	DESCRIPTION
1	141662	1	BASE 14"
2	141664	3	SCR-ST-OD, 4.2MM X 16MM, STL., ZINC
3	141669	1	14"PP 48MM/V ROLLER
4	141671	1	POLY-V BELT
5	141672	1	14" GRAY CASE
6	141674	1	14" GRAY BUMPER
7	141676	1	CORD GROMMET
8	141677	1	WIRING COMPLETE
9	141678	1	WHEEL, DIAMETER 57
10	141679	1	WHEEL HUB, DIAMETER 57
11	141683	1	GRAY LARGE JOINT-BLOCKING COVER
12	141695	1	WIRING CARPET-BEATING
13	141681	1	LARGE MICROSWITCH COVER
14	141682	1	SCR-ST-PAN HD, 3MM X 20MM, STL., ZINC
15	141684	4	SCR-ST-PAN HD, 3.5MM X 16MM STL., ZINC
16	141680	1	COMPLETE ASSEMBLED MICROSWITCH
17	141685	2	SCR-ST-PAN HD, 3.5MM X 16MM STL., ZINC
18	141686	1	U-BOLT FOR FASTENING THE CORD TO THE CASE
19	141687	1	120-V COMPLETE ELECTRONIC BOARD
20	141688	1	120-V COMPLETE TRACTION MOTOR
21	141689	1	BRUSH MOTOR CARBON
22	141690	1	BRUSH MOTOR CARBON SPRING
23	141691	2	SCR-ST-PAN HD, 3MM X 26MM STL., ZINC
24	141692	2	WASHER, 3.5MM STL., ZINC
25	141693	1	CORD FASTENER FOR JOINT
26	141694	1	JOINT

Minuteman International Made Simple Commercial Limited Warranty

Minuteman International, Inc. warrants to the original purchaser/user that the product is free from defects in workmanship and materials under normal use. Minuteman will, at its option, repair or replace without charge, parts that fail under normal use and service when operated and maintained in accordance with the applicable operation and instruction manuals. All warranty claims must be submitted through and approved by factory authorized repair stations.

This warranty does not apply to normal wear, or to items whose life is dependent on their use and care, such as belts, cords, switches, hoses, rubber parts, electrical motor components or adjustments. Parts manufactured by Minuteman are covered by and subject to the warranties and/or guarantees of their manufacturers. Please contact Minuteman for procedures in warranty claims against these manufacturers.

Special warning to purchaser -- Use of replacement filters and/or prefilters not manufactured by Minuteman or its designated licensees, will void all warranties expressed or implied. A potential health hazard exists without original equipment replacement.

All warranted items become the sole property of Minuteman or its original manufacturer, whichever the case may be.

Minuteman disclaims any implied warranty, including the warranty of merchantability and the warranty of fitness for a particular purpose. Minuteman assumes no responsibility for any special, incidental or consequential damages.

This limited warranty is applicable only in the U.S.A. and Canada, and is extended only to the original user/purchaser of this product. Customers outside the U.S.A. and Canada should contact their local distributor for export warranty policies. Minuteman is not responsible for costs or repairs performed by persons other than those specifically authorized by Minuteman. This warranty does not apply to damage from transportation, alterations by unauthorized persons, misuse or abuse of the equipment, use of non-compatible chemicals, or damage to property, or loss of income due to malfunctions of the product.

If a difficulty develops with this machine, you should contact the dealer from whom it was purchased.

This warranty gives you specific legal rights, and you may have other rights which vary from state to state. Some states do not allow the exclusion or limitation of special, incidental or consequential damages, or limitations on how long an implied warranty lasts, so the above exclusions and limitations may not apply to you.

Cord Electric Group..... Three years parts, two years labor, ninety days travel (Not to exceed two hours)

Exceptions..... Port-A-Scrub, one year parts, six months labor
MPV 13, one year parts
V-14, one year parts, one year labor
MPV 14 and 18, two years parts, one year labor
RapidAir blower, one year parts, one year labor
Explosion-Proof Vacuum, one year parts, one year labor
X12 and X12H, one year parts, one year labor
TRS 14, one year parts, one year labor

Battery Operated Group..... Three years parts, two years labor, ninety days travel

(Not to exceed two hours)
Exceptions..... Sweepers, one year parts, one year labor, ninety days travel
(Not to exceed two hours)

Internal Combustion Group.... One year parts, one year labor, ninety day travel
(Not to exceed two hours)

Battery Chargers..... One year replacement

Replacement Parts..... Ninety days

Batteries..... 0-3 months replacement, 4-12 months pro-rate

Polypropylene Plastic Tanks... Ten years, no additional labor